

SPECIFICATION FOR APPROVAL




CUSTOMER : ***SAHAROONGROJ***

MODEL NO. :

PART NO. : **"A"**

DESCRIPTION : **POWER CORD SET**

DATE : **February 09, 2026**

THAI WONDERFUL WIRE CABLE CO.,LTD.		
MADE BY	CHECK BY	APPROVED BY
 Date : 09/02/26	 Date : 09/02/26	 Date : 09/02/26

CUSTOMER APPROVAL (SIGNATURE)
 Date :



THAI WONDERFUL WIRE CABLE CO.,LTD.

BANGKOK OFFICE :

2/23-24 Soi Bangna-Trad 25, Bangna Sub-District, Bangna District, Bangkok 10260 Thailand.

TEL : 66-2361-8678-83 FAX : 66-2361-8676-7

FACTORY :

52-52/1 Moo 5 Tambol Nongkakra Amphur Phanthong Chonburi 20160 Thailand.

TEL : 66-3845-1432 (12 lines) FAX : 66-3845-2263

TECHNICAL CONTACT

POWER CORD : Mr. Pratthana Nattheewanich Ext. 7703 e-mail : pratthana.n@thaiwonderful.com

POWER CORD : Mr. Natthakrit Abhinatkhanon Ext. 7701 e-mail : natthakrit.a@thaiwonderful.com

CO-ORDINATOR : Mr. Surachai Intasarn Ext. 7700 e-mail : surachai.i@thaiwonderful.com

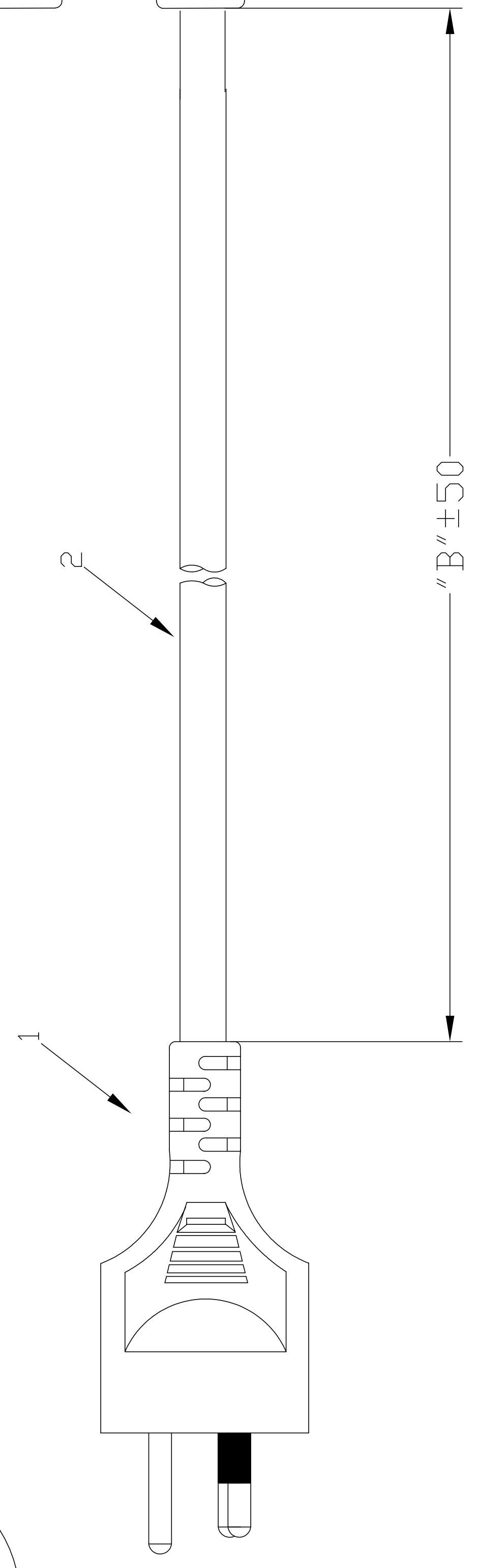
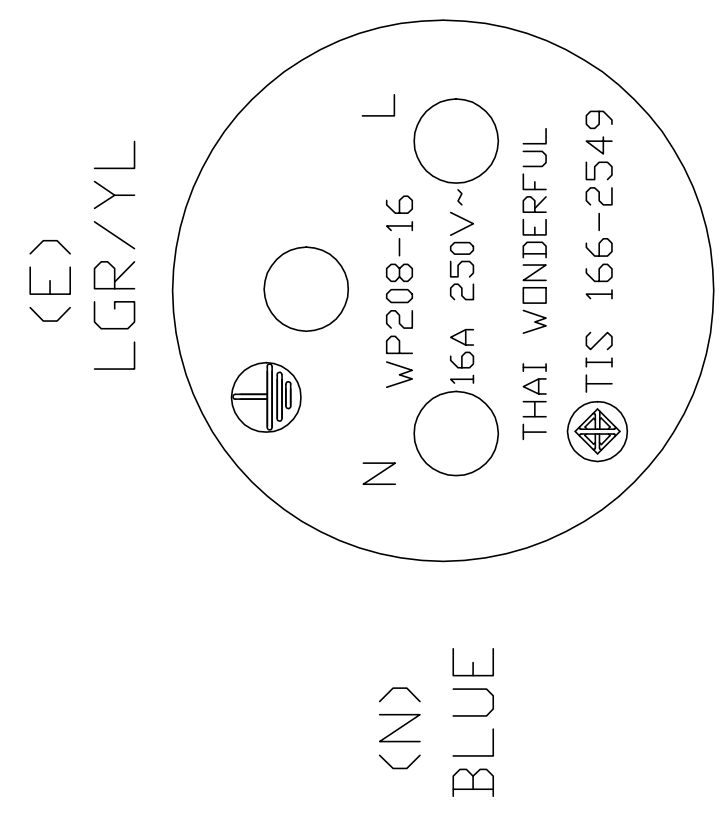
Please sign back this cover page after your approval on the specification and samples for our completion of ISO 9001 procedures. The 1st purchase order from your company will be also recognized as your approval on the specification and sample if the signed page is not returned to us on time.

CUSTOMER	SAHARONGROJ
PRODUCT NO.	"A"
REVISION	1.0

PRODUCT CODE ("A")	LENGTH ("B")
F310S00S5047	1800 mm.
F310S00S5048	3000 mm.
F310S00S5049	5000 mm.

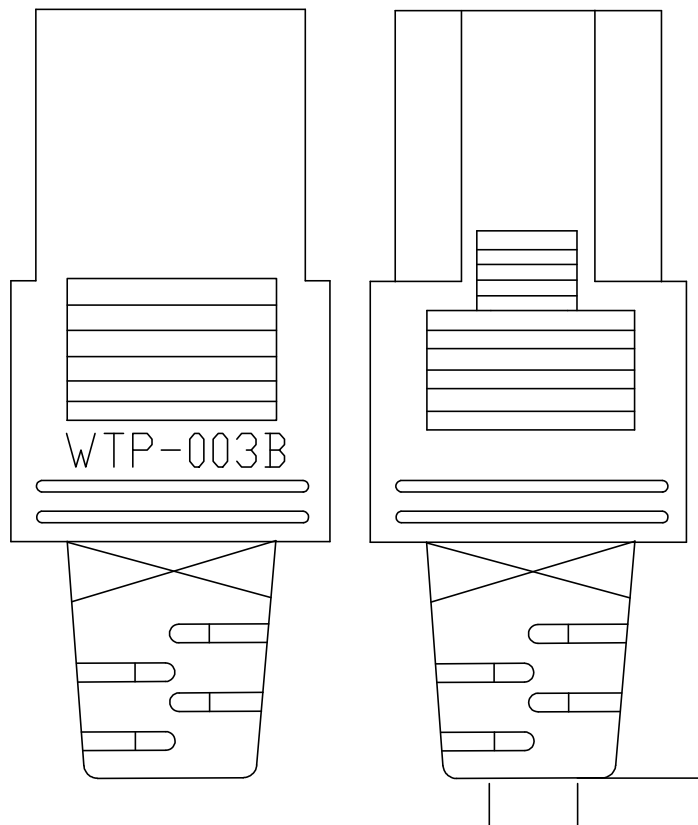
HI-POT TEST (50Hz.,3000V.,1Sec)

Wire Size	Safety Amp
0.75SQMM	6A
1.00SQMM	10A
1.50SQMM	16A

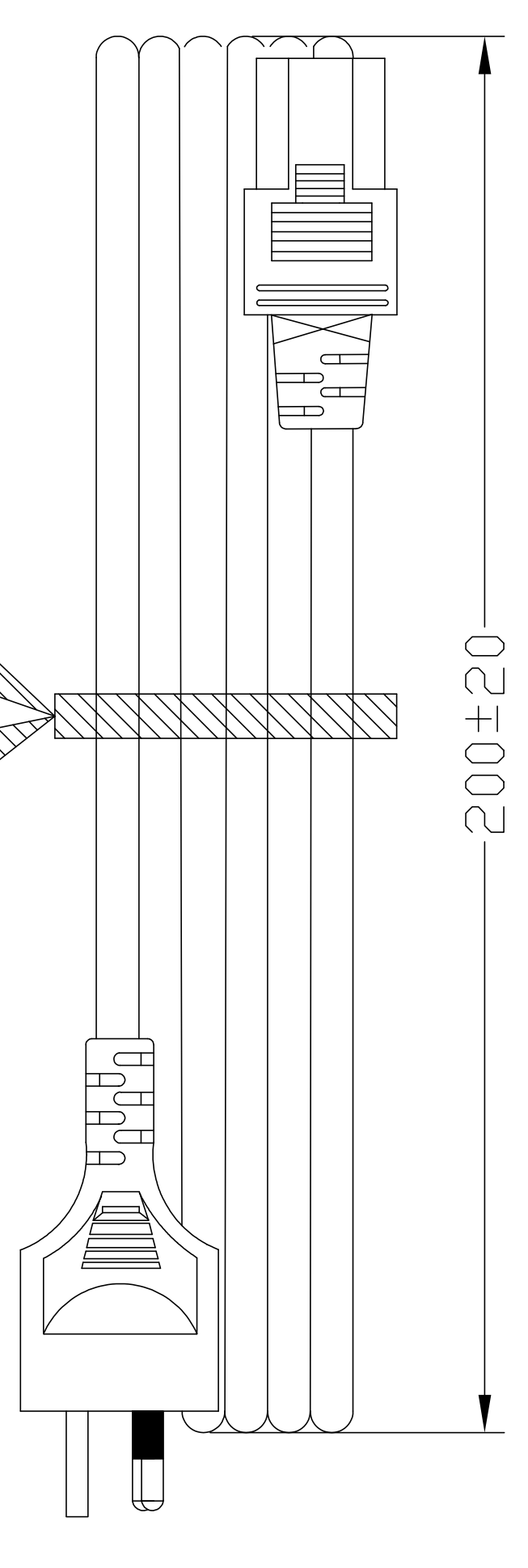


L= BROWN
E= LGR/YL
N= BLUE

3,4,5



MINI TIE (BK)



CRIMPING HEIGHT AND CRIMPING TENSILE FORCE STANDARD

MATERIAL	CRIMPING HEIGHT (w.s./l.s)	TOLERANCE (w.s./l.s)	TENSILE
KC 3752008NP	1.75 mm.	±0.05 mm.	22.69 Kgs.
KC 322120	1.75 mm.	±0.05 mm.	22.69 Kgs.

ITEM	DESCRIPTION	Q'TY	UNIT	REVISION	DATE	DESCRIPTION
5	MOLD POWER PLUG : WTP003B (TYPE LOCAL) PVC-65%	0.022	KG.			
4	HOOD : GEM 8745N	1	PCS			
3	TERMINAL : KC 322120	3	PCS			
2	WIRE : GTSA-3/H05VV-F 1.50SQMMx3C (V15AE3NY33)	5.10	M			
1.1	TERMINAL : KC 3752008NP OR EQUIVALENT	1	PCS			
1	MOLD POWER PLUG : WP208-16 (TYPE TIS) PVC-65%	0.035	KG.			
	SCALE					
	FREE					
	UNIT : mm.					
	APPROVE					09/02/26
	QA. DEPT.					
	CONTROL W.H. DEPT.					
	CHECK					09/02/26
	DESIGN					09/02/26
	CUSTOMER PART NO.					
	DWG. NO.					DWHP26020054-PC
	STYLE					POWER CORD SET
	THAI WONDERFUL WIRE CABLE CO.,LTD.					

